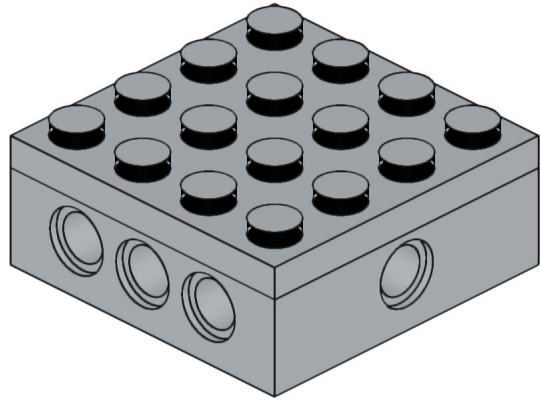
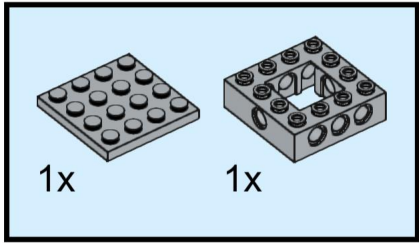
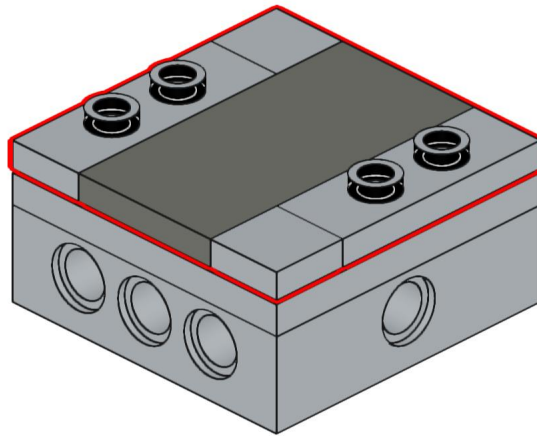
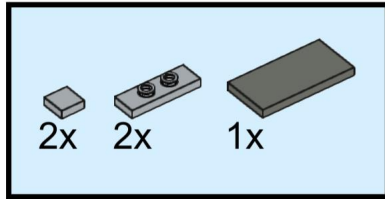


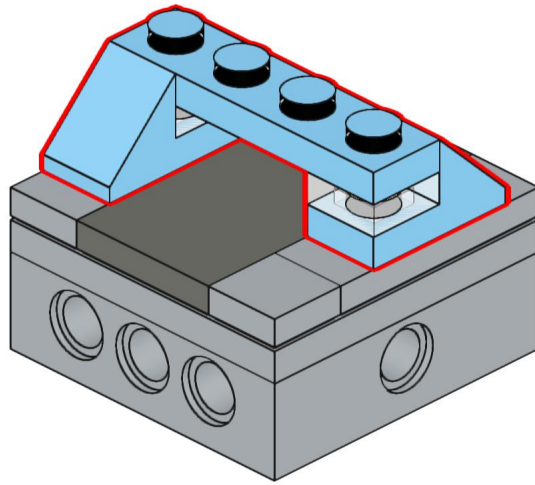
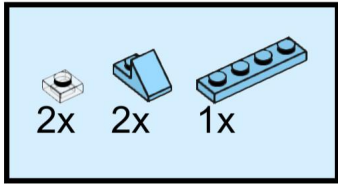
1



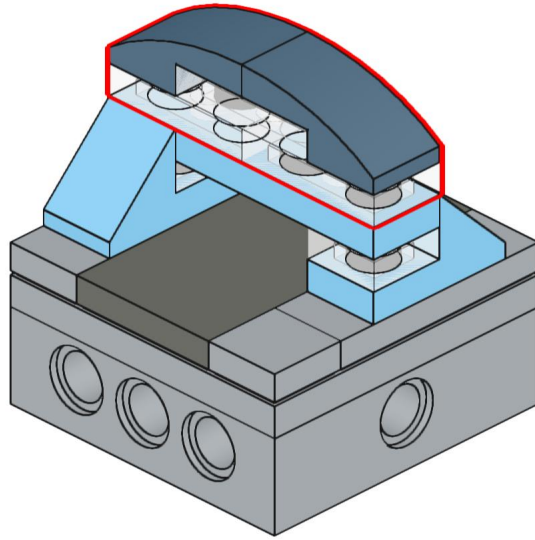
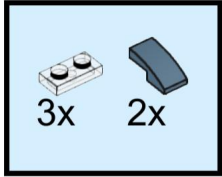
2


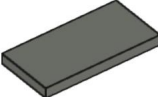


3



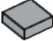
4






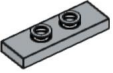
1x
87079
Dark Bluish Gray

2x
92946
Bright Light Blue



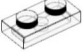

2x
3070
Light Bluish Gray

1x
3710
Bright Light Blue



2x
34103
Light Bluish Gray

2x
3024
Trans-Clear



1x
3031
Light Bluish Gray

3x
3023
Trans-Clear



1x
32324
Light Bluish Gray



2x
11477
Sand Blue